



## TECHNICAL SPECIFICATION

# Envirotainer<sup>®</sup> container RAP e2

## The most advanced temperature-controlled air cargo container

Envirotainer presents its latest addition to the portfolio of active temperature-controlled air cargo containers. Designed for the most extreme requirements of the healthcare industry, the RAP e2 container maintains product temperatures in the +2 to +8 °C range, controlled room temperature (+15 to +25 °C) range or at any chosen set temperature between ±0 and +25 °C in nearly any ambient condition appearing along shipping routes globally. The RAP e2 is a certified air cargo ULD (Unit Load Device) ensuring seamless handling throughout the supply chain worldwide. The unit can be carried on board of the most common wide body aircraft types.

Drawing on the benefits of the established and proven Envirotainer electrical heating and cooling technology the RAP e2 features a completely new designed container shell with superior insulation performance allowing for the most temperature stable shipments regardless of the ambient conditions.

### Key features for consistent temperature-control:

- Insulated container shell built in an all composite material for superior insulation properties
- Fully redundant electrical heating and compressor cooling system
- Rechargeable batteries that can be charged at standard AC-power connection points
- Enhanced air circulation system inside the container ensures a low temperature gradient within the entire cargo space
- Air circulated by the heating and cooling unit is close to the set temperature
- Easy to use control unit allowing simple operation of the container
- Data logging functionality
- Forkliftable from all sides even when fully loaded, eliminating the need for rollerbeds

### Performance data:

- Autonomy running on batteries > 100 h in a typical shipment scenario (dependent on ambient temperature exposure and set point)
- Autonomy running on batteries in extreme conditions up to 35h
- Operational at temperatures from -30 to +50 °C
- Set temperature range ±0 to +25 °C
- Temperature tolerance ±3 °C (at set temperature +5 °C) when container is in use
- Batteries charged (from 0 to 100%) in 12 h regardless if container is in use or not

Envirotainer is an open platform service provider - our products are made available worldwide through a range of partners in the airline and forwarding industry. Contact Envirotainer to test the RAP e2 container.



## Refrigerating system

Thermostat-controlled air conditioning system with compressor cooling and electrical heating. Powered by rechargeable batteries.

Recharging power supply	100-240 V AC, 50-60 Hz
Maximum power consumption during charging	1850 W
Maximum charging time	12 h

Container set temperature range	0°C to +25°C (+32°F to +77°F)
---------------------------------	-------------------------------

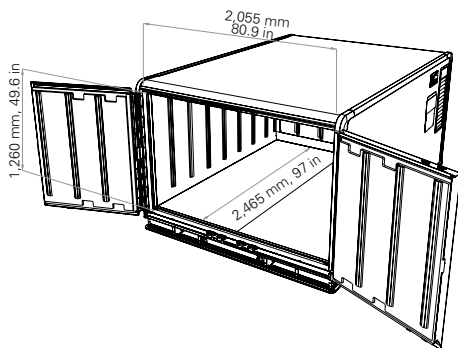
Temperature tolerance in cargo space	
at set temp 0 to +10°C (+32°F to +50°F)	+/- 3°C (+/- 5.4°F)
at set temp +10°C to +25°C (+50°F to +77°F)	+/- 5°C (+/- 9°F)

Autonomy at container set temperature +5°C (41°F)	35 h / 30 h*
---	--------------

Operation range at container set temperature +5°C (41°F), ambient conditions**	-25°C to +40°C (-13°F to +104°F)
--	----------------------------------

Storage temperature range	-40°C to +50°C (-40°F to +122°F)
---------------------------	----------------------------------

## Dimensions



External cube (volume)	11.5 m3 (406.1 foot3)
------------------------	--------------------------

External dimensions (L x W x H)	3175 x 2235 x 1626 mm (125 x 88 x 64 in)
---------------------------------	---

Internal dimensions (L x W x H)	2465 x 2055 x 1260 mm (97 x 80.9 x 49.6 in)
---------------------------------	--

Door opening (L x H)	2055 x 1260 mm (80.9 x 49.6 in)
----------------------	------------------------------------

Internal cube (volume)	6.38 m3 (224.2 foot3)
------------------------	--------------------------

## Weight

Tare weight	1,100 kg (2,425 lbs)
-------------	-------------------------

Max gross weight	6,033 kg (13,300 lbs)
------------------	--------------------------

Max net weight	4,933 kg (10,875 lbs)
----------------	--------------------------

## Other information

Suitable for use on aircraft A300, A310, A330, A340, A380, B747, B767, B777, DC10, IL86, MD11, L1011

Forkliftable with a slot-height of 102 mm (4 in), slot-width of 305 mm (12 in) and distance 813 mm (32 in).

\* 35 hours if ambient temperature is between -10°C to +15°C (+14°F to +59°F) and 30 hours if ambient temperature is between +15°C to +25°C (+59°F to +77°F).

\*\* please refer to test report "TR100560" for load specification.

## Contact information

It is easy to implement and work with an Envirotainer<sup>®</sup> solution. We offer a range of container types for convenient short and long term leasing from a worldwide network of stations.

Please contact your local sales representative or visit [www.envirotainer.com](http://www.envirotainer.com) for more information.

[www.envirotainer.com](http://www.envirotainer.com)